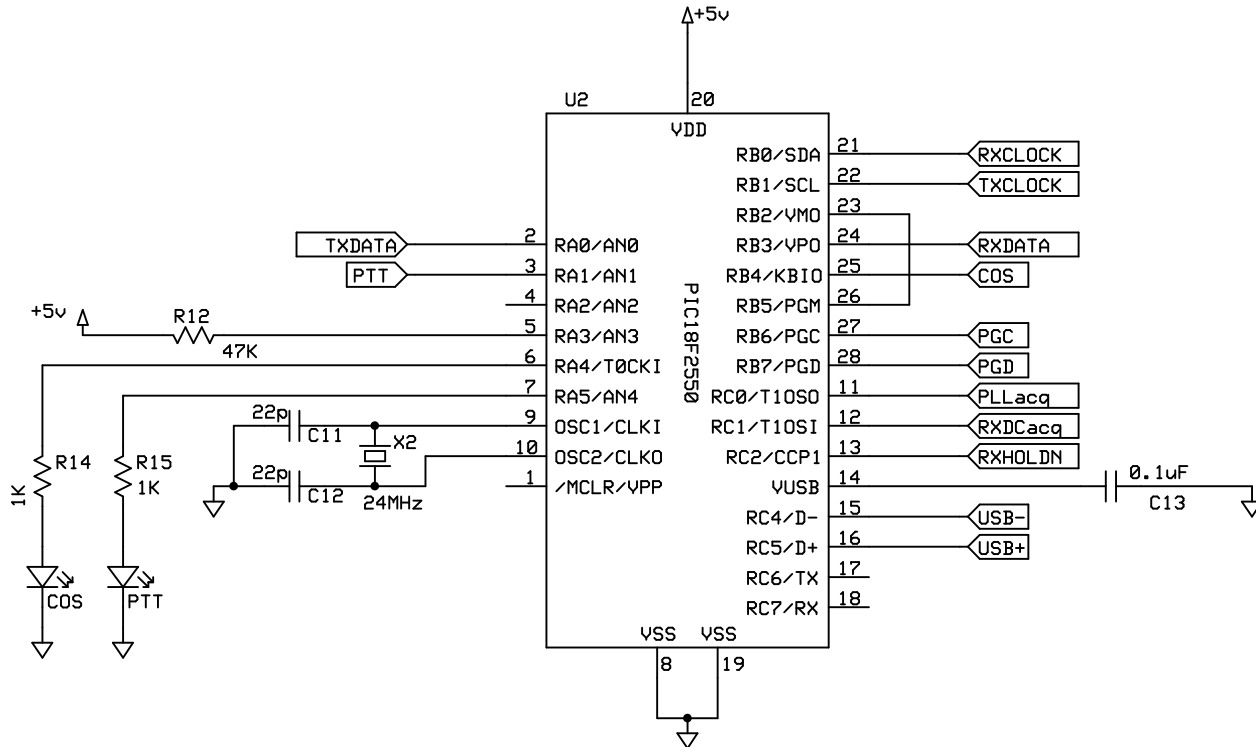
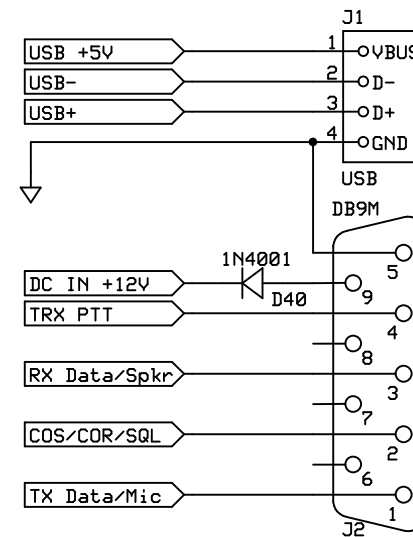
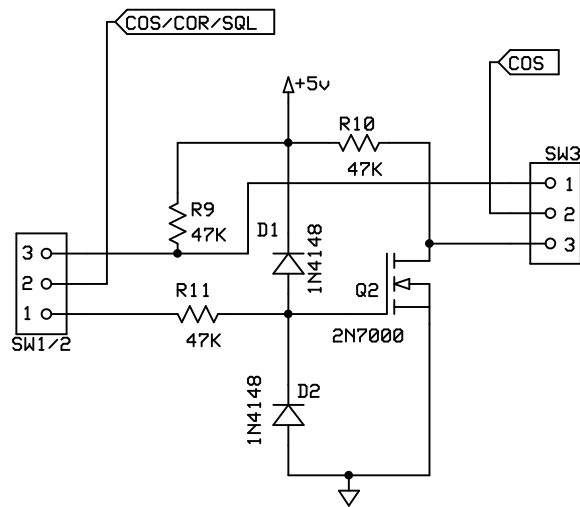
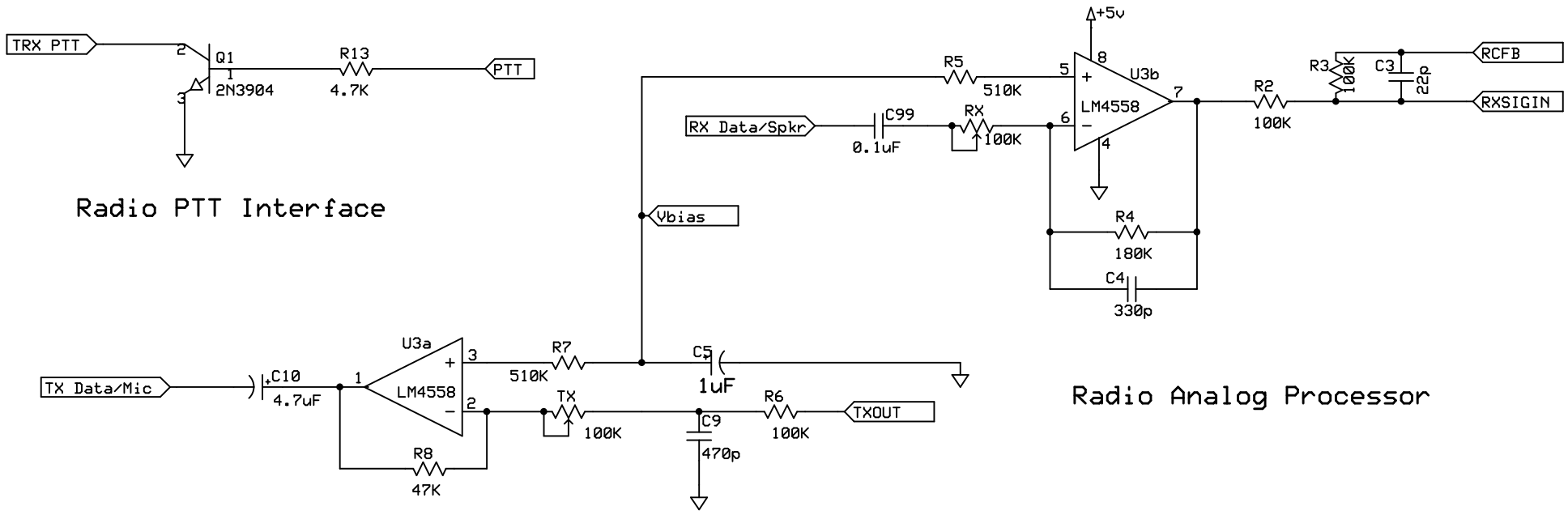


Power supply



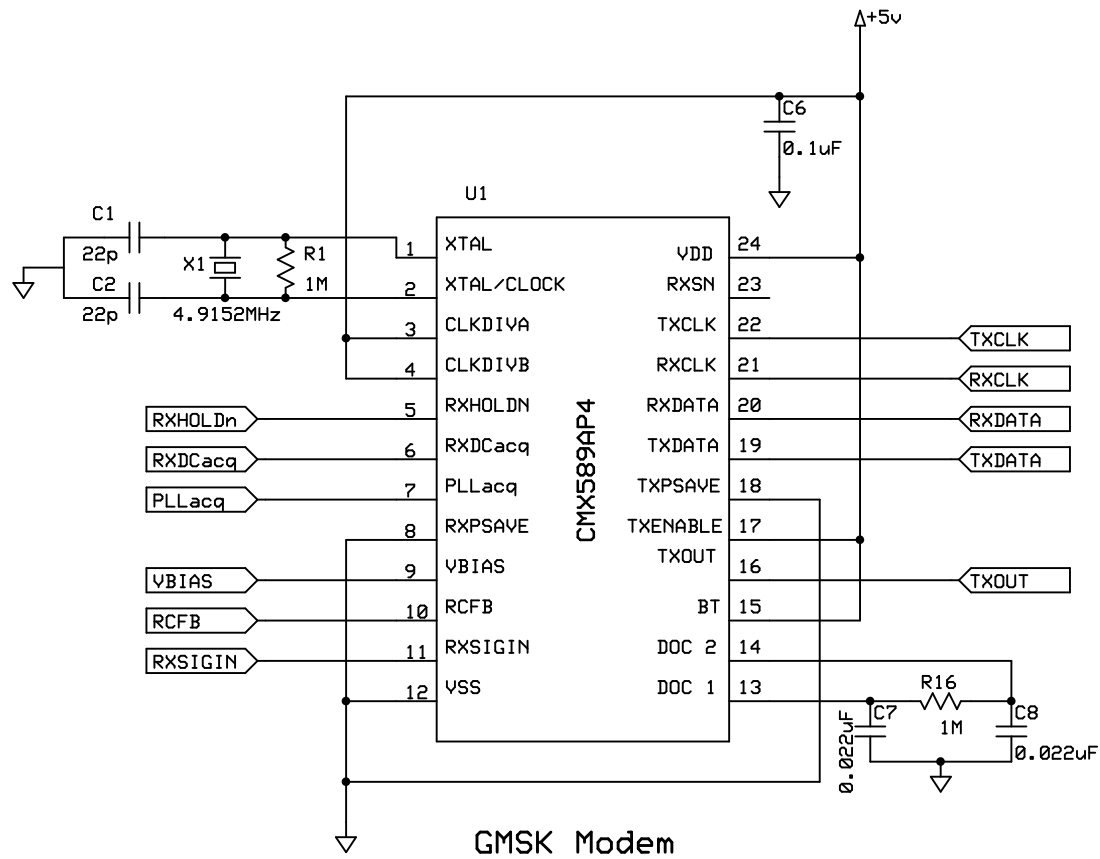
PIC Microprocessor

G7LTT		
Mini-HotSpot		
Mark Phillips	Rev 1.06	Page 1
	9/27/2009	



Negative COS SW1/2 2-3, SW3 1-2
 Positive COS SW1/2 1-2, SW3 2-3

Radio Analog COS



<http://www.g71tt.com/hotspot>

U1.1N
D-STAR Mini HotSpot
NI20 06/2009

